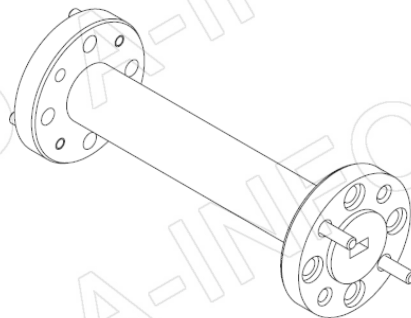
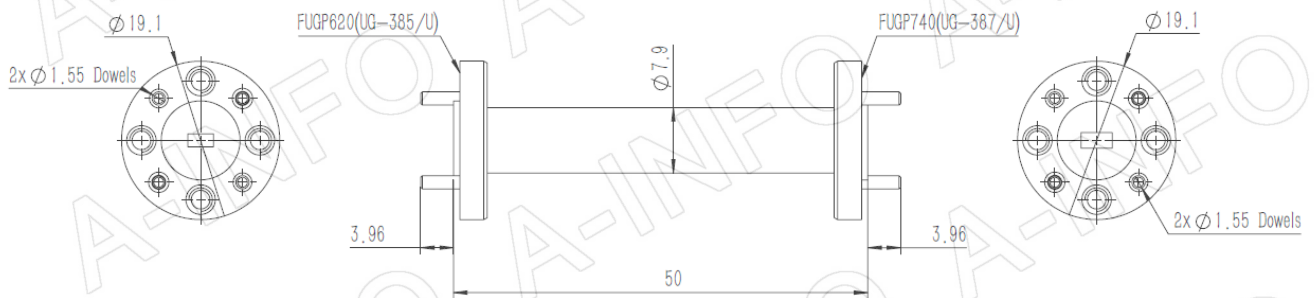


Technical Specification

EIA WR to WR	WR15 to WR12
Frequency Range(GHz)	60.0 - 75.0
Length(mm/inch)	50/2.0
Insertion Loss(dB)	0.3 Max.
VSWR	1.10:1 Max.
WR15 Flange	FUGP620(UG-385/U)
WR12 Flange	FUGP740(UG-387/U)
Material	Cu
Size(mm)	50 x 19.1 x 19.1
Net Weight(Kg)	0.05 Around



Outline Drawing (Size: mm)



AINFO Inc.

Page 1 of 3

China(Beijing):
China(Chengdu):
USA :

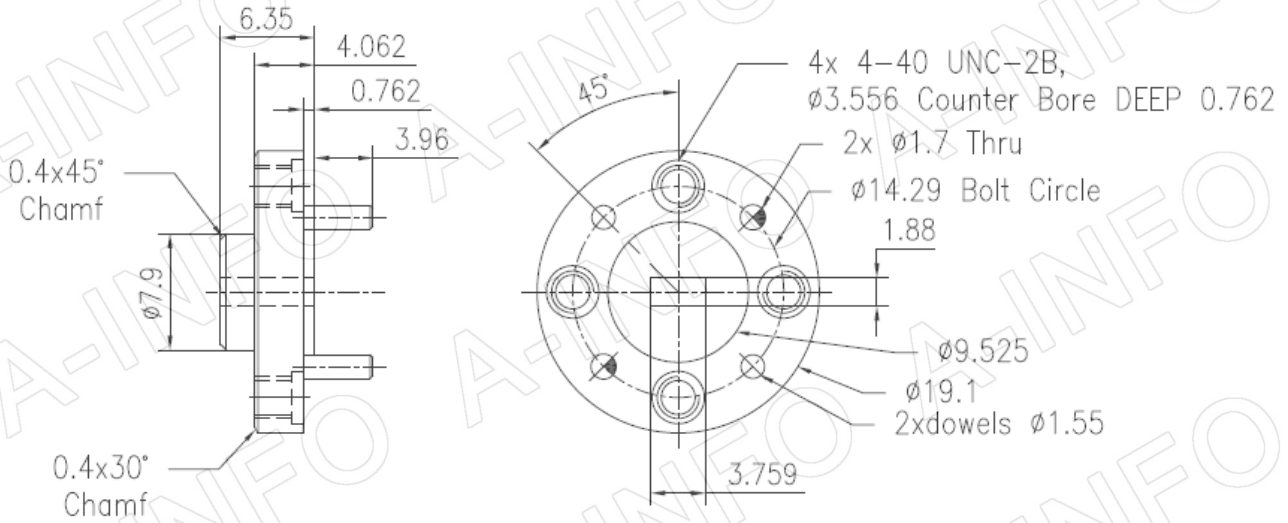
Tel: (+86) 10-6266-7326,
Tel: (+86) 28-8519-2786,
Tel: (+1) 949-639-9688,

(+86) 10-6266-7327
(+86) 28-8519-3044
(+1) 949-639-9608

Fax: (+86) 10-6266-7379
Fax: (+86) 28-8519-3068
Fax: (+1) 949-639-9670

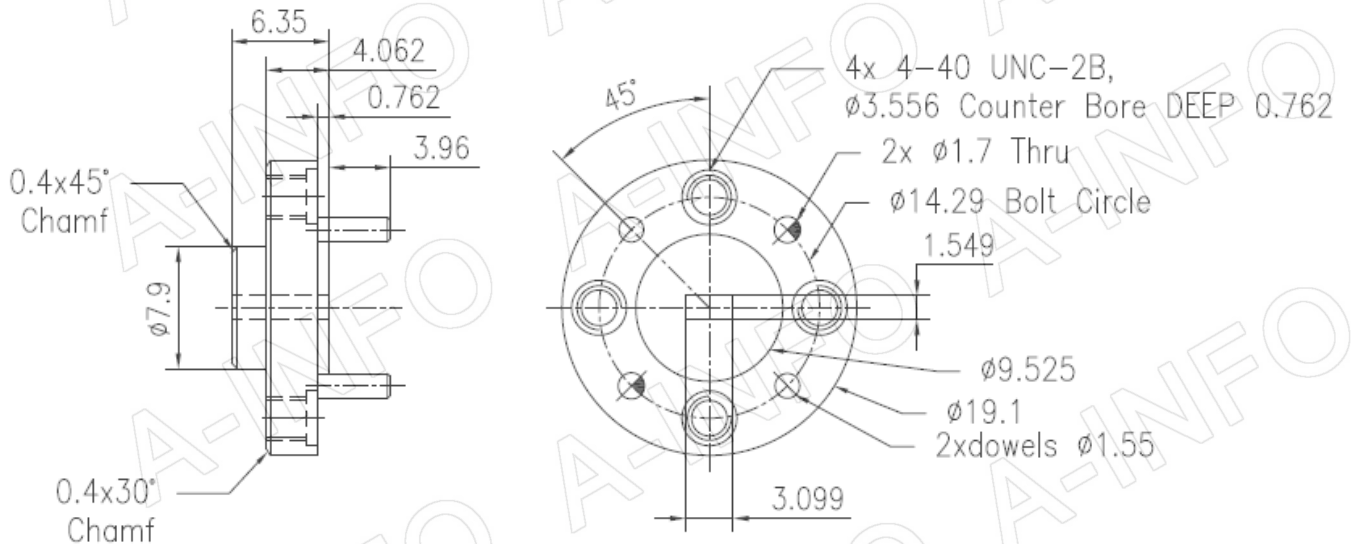
Website: www.ainfoinc.com
Email: sales@ainfoinc.com

Flange Outline Drawing (Size: mm)



FUGP620

(equivalent to UG-385/U)



FUGP740

(equivalent to UG-387/U)

AINFO Inc.

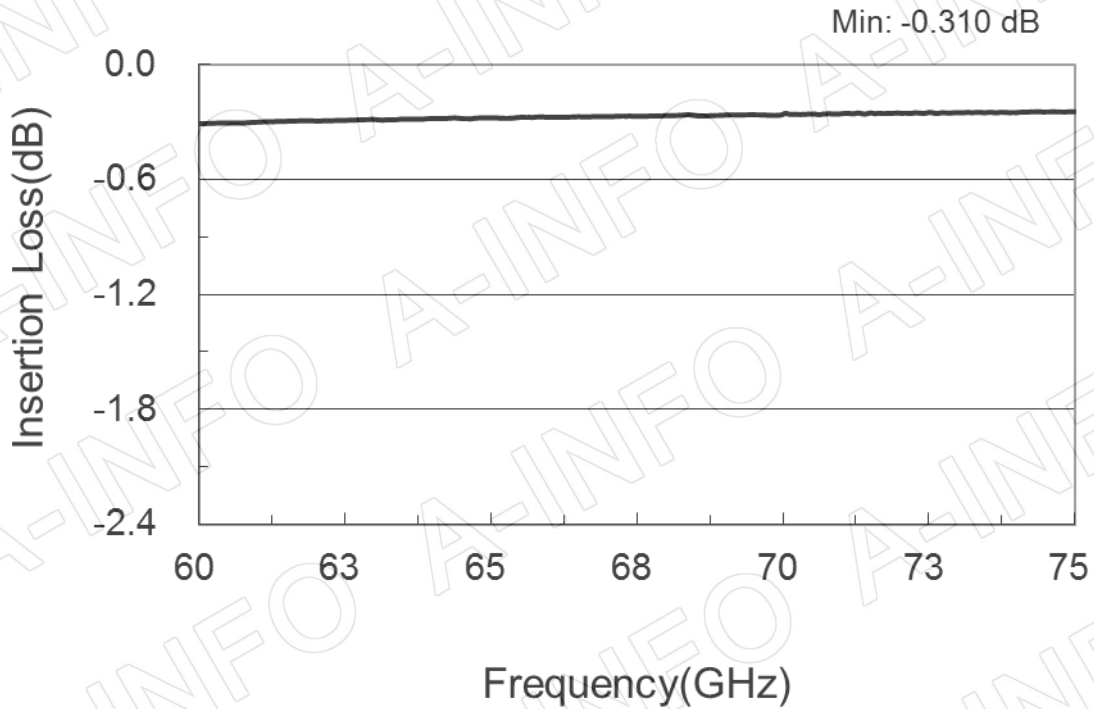
Page 2 of 3

China(Beijing): Tel: (+86) 10-6266-7326, (+86) 10-6266-7327 Fax: (+86) 10-6266-7379
 China(Chengdu): Tel: (+86) 28-8519-2786, (+86) 28-8519-3044 Fax: (+86) 28-8519-3068
 USA: Tel: (+1) 949-639-9688, (+1) 949-639-9608 Fax: (+1) 949-639-9670

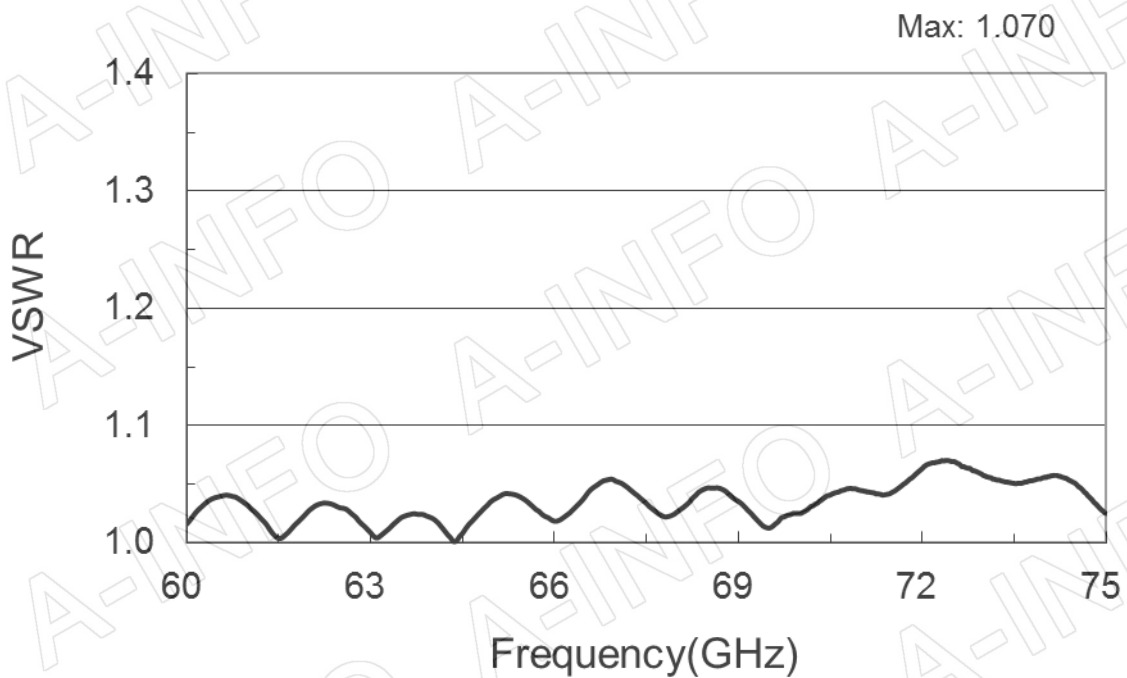
Website: www.ainfoinc.com
 Email: sales@ainfoinc.com

Test Result

Insertion Loss (Test with two transitions back to back)



VSWR



AINFO Inc.

Page 3 of 3

China(Beijing):	Tel: (+86) 10-6266-7326,	(+86) 10-6266-7327	Fax: (+86) 10-6266-7379
China(Chengdu):	Tel: (+86) 28-8519-2786,	(+86) 28-8519-3044	Fax: (+86) 28-8519-3068
USA :	Tel: (+1) 949-639-9688,	(+1) 949-639-9608	Fax: (+1) 949-639-9670

Website: www.ainfoinc.com
Email: sales@ainfoinc.com